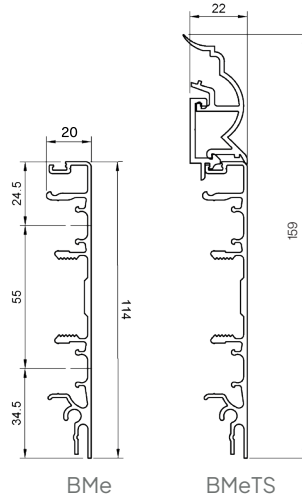
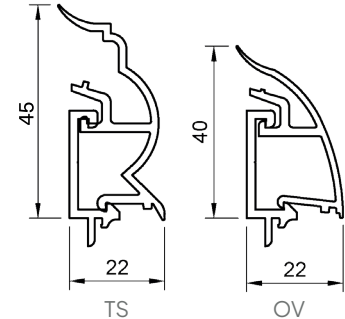


TECHNICAL DATA SHEET

PROFILE DETAILS



OPTIONAL PROFILE CAPPING



THERMAL PERFORMANCE

The heated cabling used in ThermaSkirt is a self-regulating cable which will not exceed the maximum listed Temperature even when covered.

Outputs are per linear metre

Cable Type	Temperature (°C)	Heat Output (W/m)
FS30	40-45	50-65
FS45	50-55	85-95
FS60	60-70	115-130

SKIRTING SPECIFICATION

Material:	Aluminium Polymer Alloy	Colour (s):	Cricket White (RAL 9010)
Finish:	Double Epoxy Powder Coat		Vintage Ivory (RAL 1013)
Standard Length (s):	1.5m, 3.0m, 4.5m, 6.0m to order & cut to order		Custom Options
Connector (s):	2 X 2.5mm Twin & Earth Cables	Weight:	1.36kg/m
	1 X 2.5mm 5 - Core Cable	Inrush Current:	1.2A/m (at 10°C)
Max Length:	25m (With a 13A Fuse)	Electrical Supply:	220-240V
Mounting Method:	Bracket Provided 1 per meter	Electrical Protection:	Type C 30mA RCBO

APPROVALS & WARRANTY

CE Marked to Low Voltage Directive | Tested to EN 60335-2-30 (Room Heaters) | EMC Test Certificate No C1064575 | 5 Year element warranty

Warning: ThermaSkirt is an aluminium based radiant heating system. To preserve your warranty, electrical heating system systems should be installed in accordance with **BS 7671** or **IEC 60364**. Mains electrical power circuits should be installed by a competent professional. It is also very important to check the continuity of your system when installing to prevent potential short circuits.